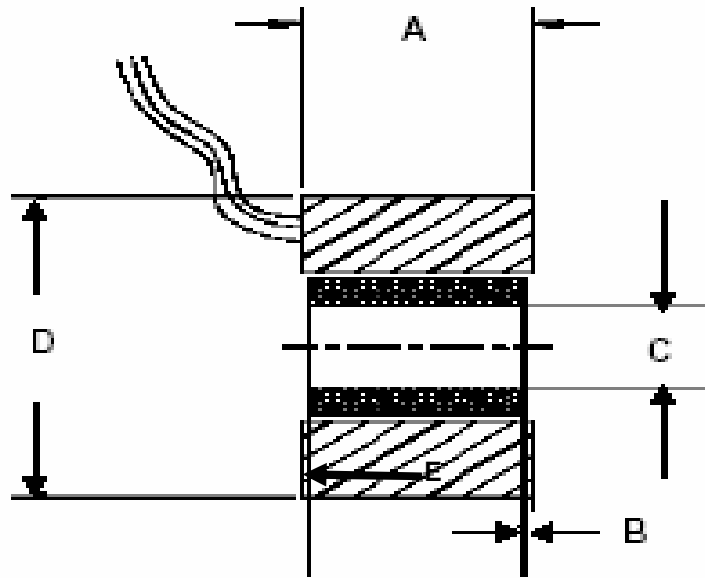


MDM-5000 Direct Drive Sets



Frame Size	With or Without Hall		Cmax	D	E	# of Poles	Stall Torque Nm	Peak Torque Nm	Max Speed RPM
	A	B							
P0551	39	6	16.00 +/- 0.038	55.00 +/- 0.038	21	8	0.55	2.5	8000
P0552	58	6	16.00 +/- 0.038	55.00 +/- 0.038	40	8	0.89	4.4	8000
P0553	77	6	16.00 +/- 0.038	55.00 +/- 0.038	60	8	1.25	5.9	8000
P0554	96	6	16.00 +/- 0.038	55.00 +/- 0.038	81	8	1.50	7.0	8000
P0631	28	4	28.95 +/- 0.038	60.35 +/- 0.038	15	16	0.55	2.3	8000
P0632	41	4	28.95 +/- 0.038	60.35 +/- 0.038	28	16	1.0	5.0	8000
P0633	54	4	28.95 +/- 0.038	60.35 +/- 0.038	42	16	1.3	6.6	8000
P0634	67	4	28.95 +/- 0.038	60.35 +/- 0.038	55	16	1.7	8.9	8000
P0635	82	4	28.95 +/- 0.038	60.35 +/- 0.038	69	16	2.0	11.0	8000
P0636	95	4	28.95 +/- 0.038	60.35 +/- 0.038	82	16	2.2	13.0	8000
P0651	33	4	18.00 +/- 0.038	65.00 +/- 0.038	20.3	16	0.83	4.1	8000
P0652	43	4	18.00 +/- 0.038	65.00 +/- 0.038	29.5	16	1.2	6.0	8000
P0653	59	4	18.00 +/- 0.038	65.00 +/- 0.038	49.3	16	1.9	9.5	8000
P0654	69	4	18.00 +/- 0.038	65.00 +/- 0.038	58.5	16	2.2	9.5	8000
P0761	34	5	23.00 +/- 0.038	75.95 +/- 0.038	20	16	1.05	6.2	8000
P0762	50	5	23.00 +/- 0.038	75.95 +/- 0.038	36	16	1.8	11.0	8000
P0763	65	5	23.00 +/- 0.038	75.95 +/- 0.038	55	16	2.5	14.0	8000
P0764	82	5	23.00 +/- 0.038	75.95 +/- 0.038	71	16	3.0	17.5	8000
P0765	98	5	23.00 +/- 0.038	75.95 +/- 0.038	90	16	4	22.0	8000
P0766	114	5	23.00 +/- 0.038	75.95 +/- 0.038	106	16	4.5	25.3	8000
P0811	38	6	32.00 +/- 0.038	81.28 +/- 0.038	20	16	1.1	5.1	8000
P0812	55	6	32.00 +/- 0.038	81.28 +/- 0.038	37	16	2.1	10.1	8000
P0813	72	6	32.00 +/- 0.038	81.28 +/- 0.038	58	16	2.8	16.0	8000
P0814	89	6	32.00 +/- 0.038	81.28 +/- 0.038	73	16	3.8	20.1	8000
P1051	61	10	31.75 +/- 0.038	105.00 +/- 0.075	32	8	5.2	12.0	6000
P1052	92	10	31.75 +/- 0.038	105.00 +/- 0.075	63	8	9	21.9	6000
P1053	123	10	31.75 +/- 0.038	105.00 +/- 0.075	95	8	12	29.8	6000
P1054	154	10	31.75 +/- 0.038	105.00 +/- 0.075	126	8	15	37.6	6000
P1271	32	7	63.50 +/- 0.05	127.00 +/- 0.075	13	16	2.3	7.9	6000
P1272	42	7	63.50 +/- 0.05	127.00 +/- 0.075	23	16	4.4	16.9	6000
P1273	52	7	63.50 +/- 0.05	127.00 +/- 0.075	33	16	6	24.9	6000
P1274	62	7	63.50 +/- 0.05	127.00 +/- 0.075	45	16	8.2	32.8	6000
P1275	72	7	63.50 +/- 0.05	127.00 +/- 0.075	55	16	9.8	41.8	6000
P1276	82	7	63.50 +/- 0.05	127.00 +/- 0.075	65	16	11.7	48.6	6000
P1431	55	10	38.05 +/- 0.05	143.00 +/- 0.075	26	8	7.3	28.0	6000
P1432	80	10	38.05 +/- 0.05	143.00 +/- 0.075	51	8	14	47.5	6000
P1433	105	10	38.05 +/- 0.05	143.00 +/- 0.075	76	8	19	71.0	6000
P1434	130	10	38.05 +/- 0.05	143.00 +/- 0.075	101	8	24	96.0	6000
P1435	155	10	38.05 +/- 0.05	143.00 +/- 0.075	126	8	29	110.0	6000

Note: All ratings are at 25 degrees C Ambient and max total winding temperature of 155 degrees C