

Figure E-1
Parameter Logic Overview

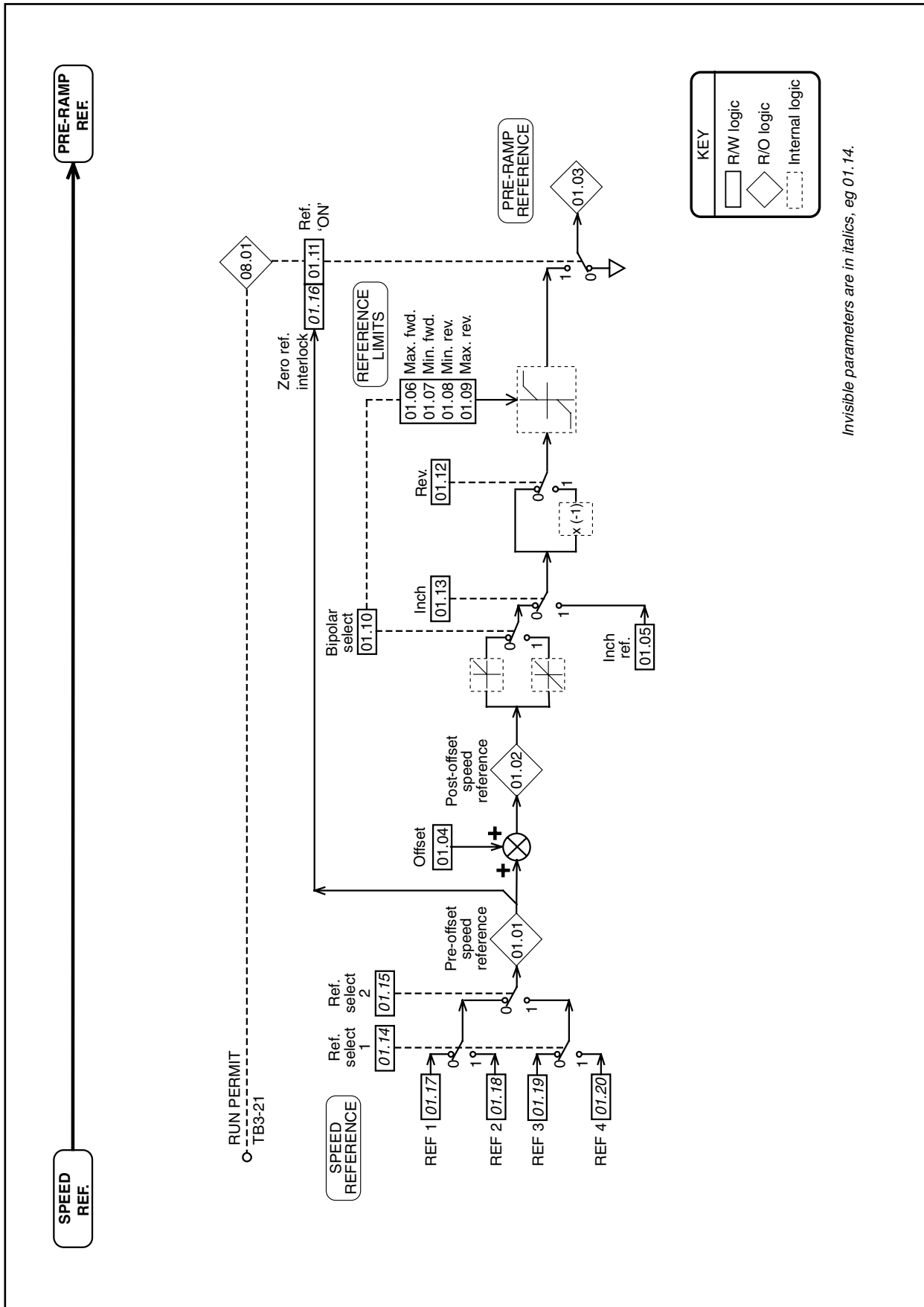


Figure E-2
Menu 01—Speed Reference Selection & Limits

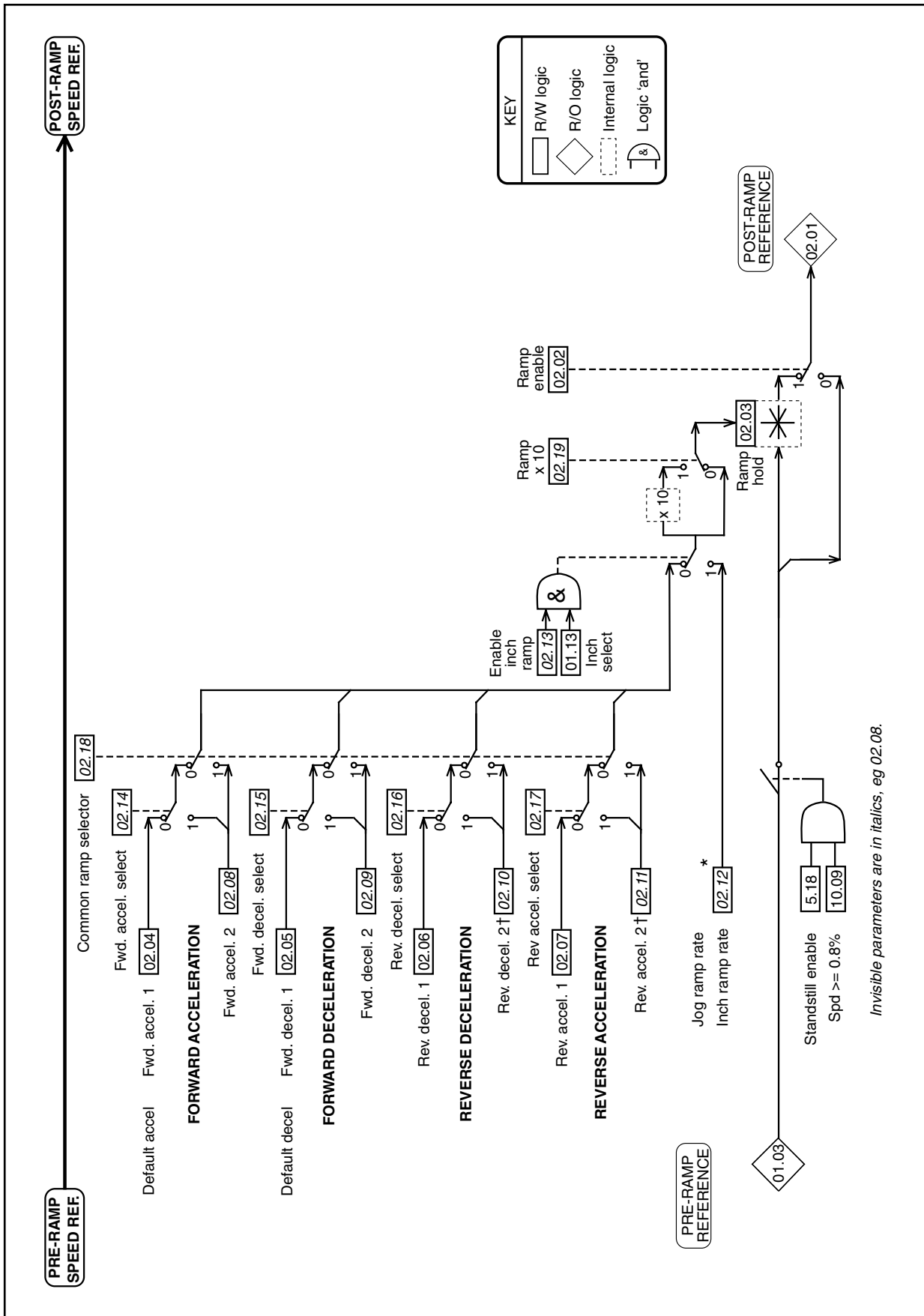


Figure E-3
Menu 02—Ramp Selection

Appendix E: Menu Diagrams

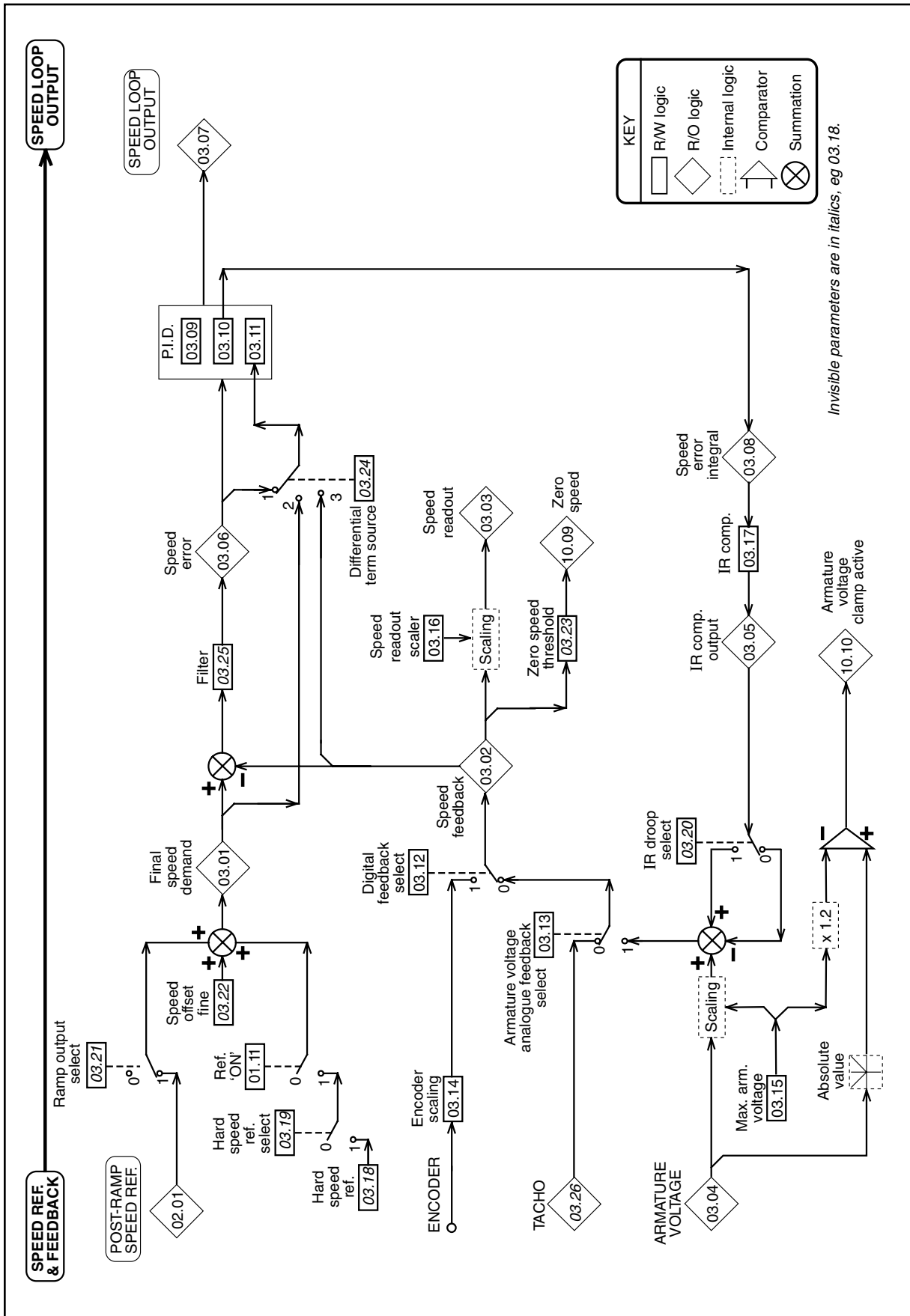


Figure E-4
Menu 03—Feedback Selection & Speed Loop

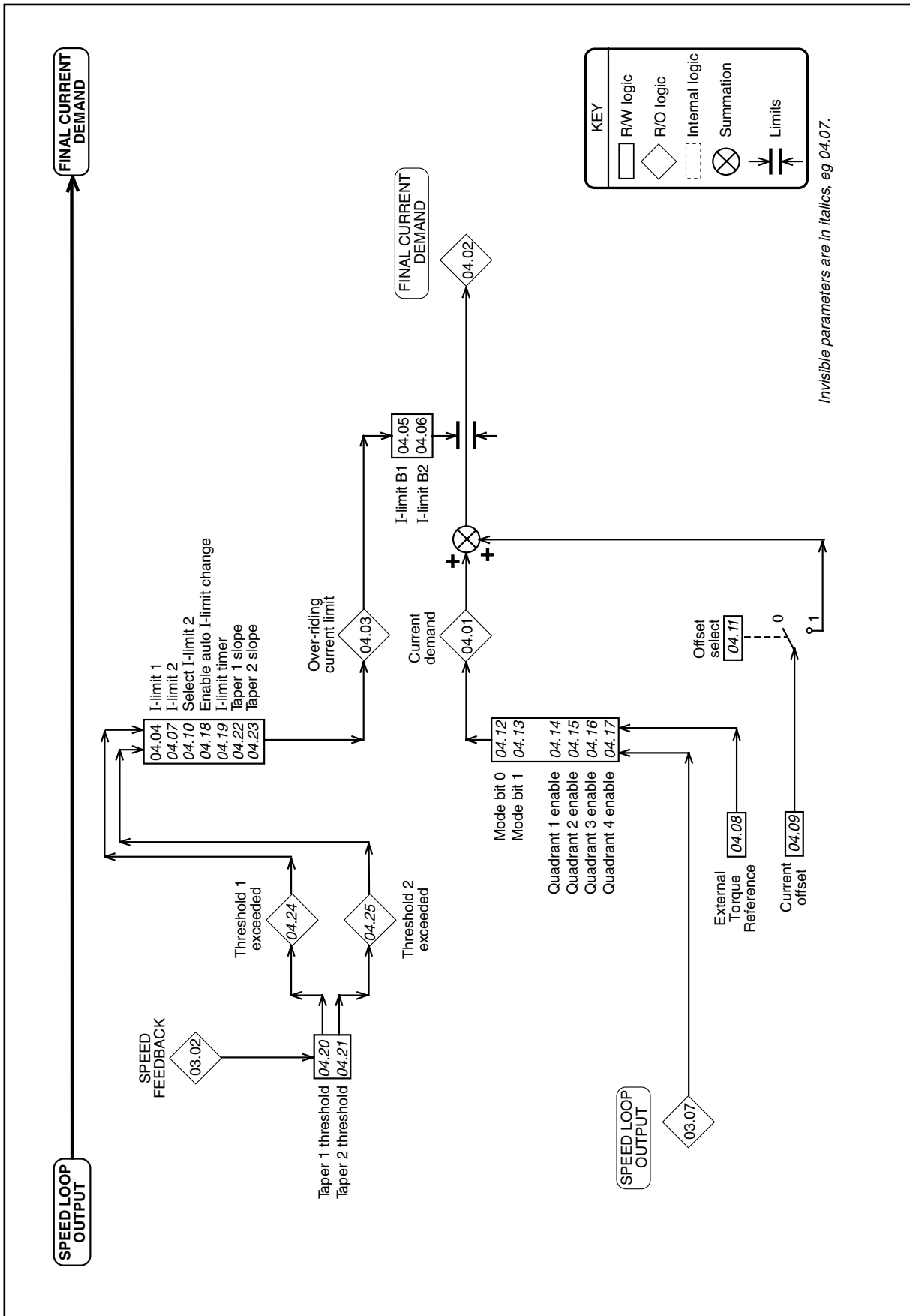
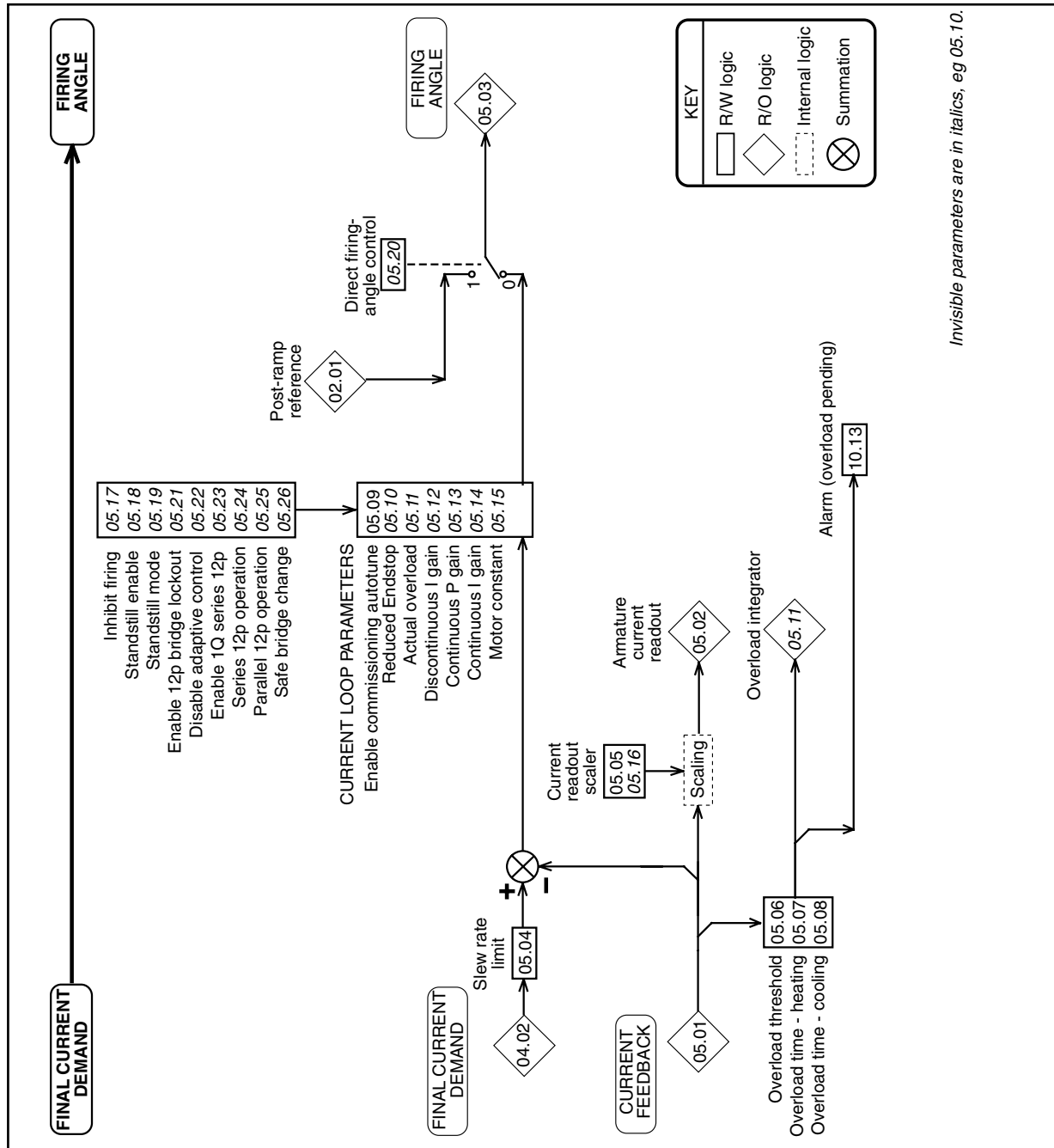
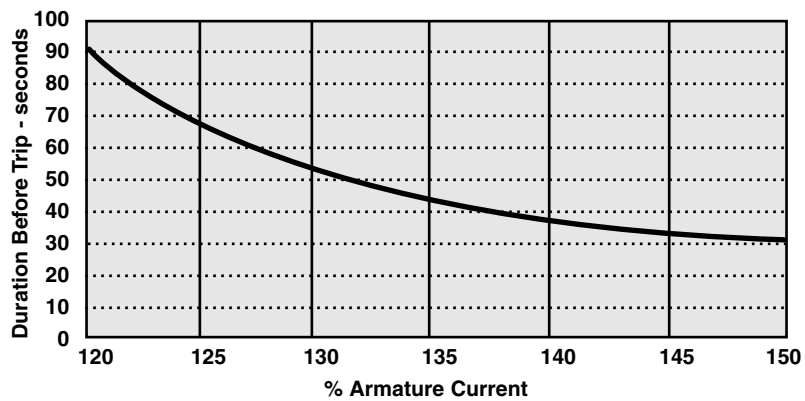


Figure E-5
Menu 04—Current Selection & Limits



Invisible parameters are in italics, eg 05.10.

**Figure E-7
Current vs.
Time Overload Curve**



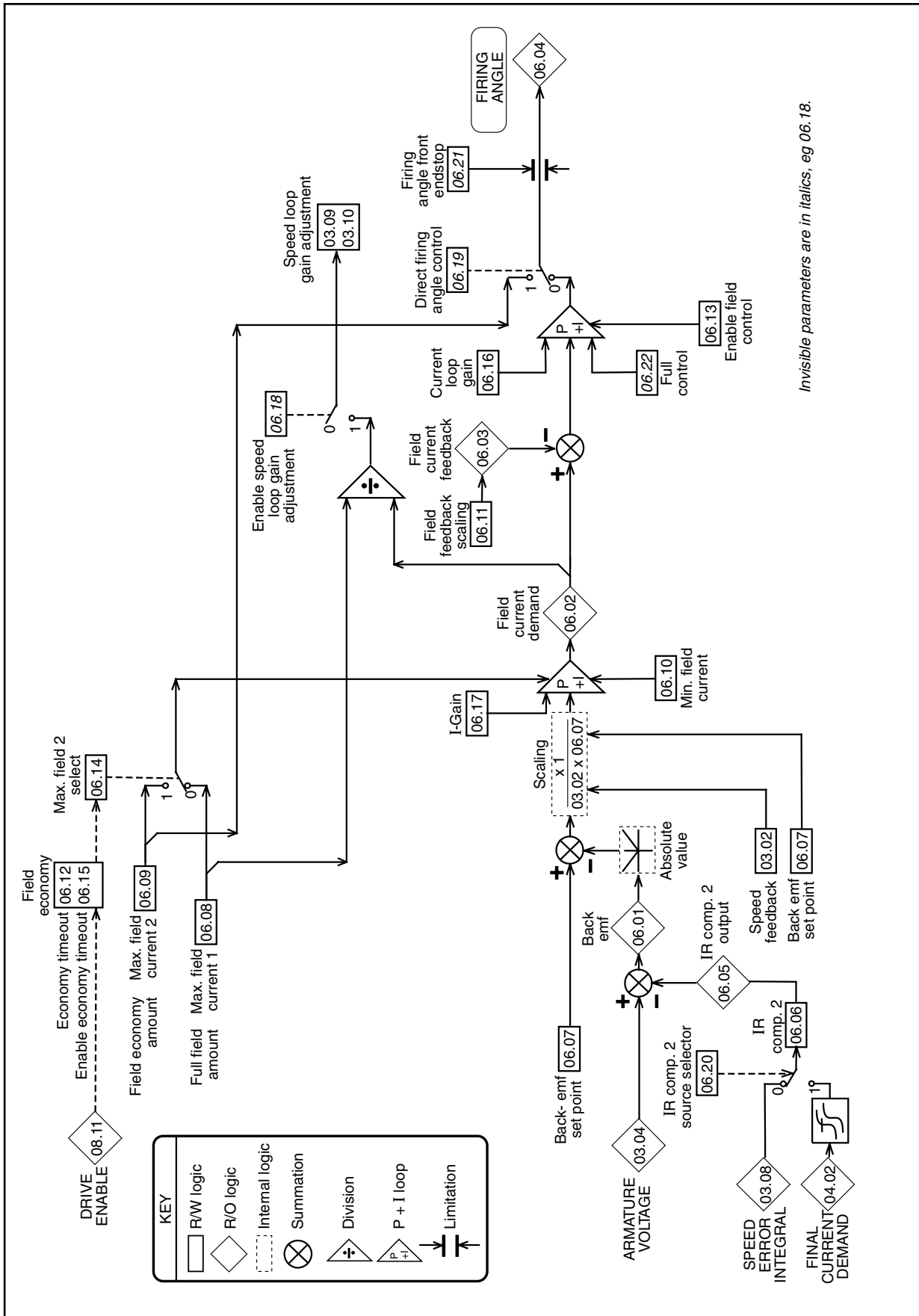


Figure E-8
Menu 06—Field Control

Appendix E: Menu Diagrams

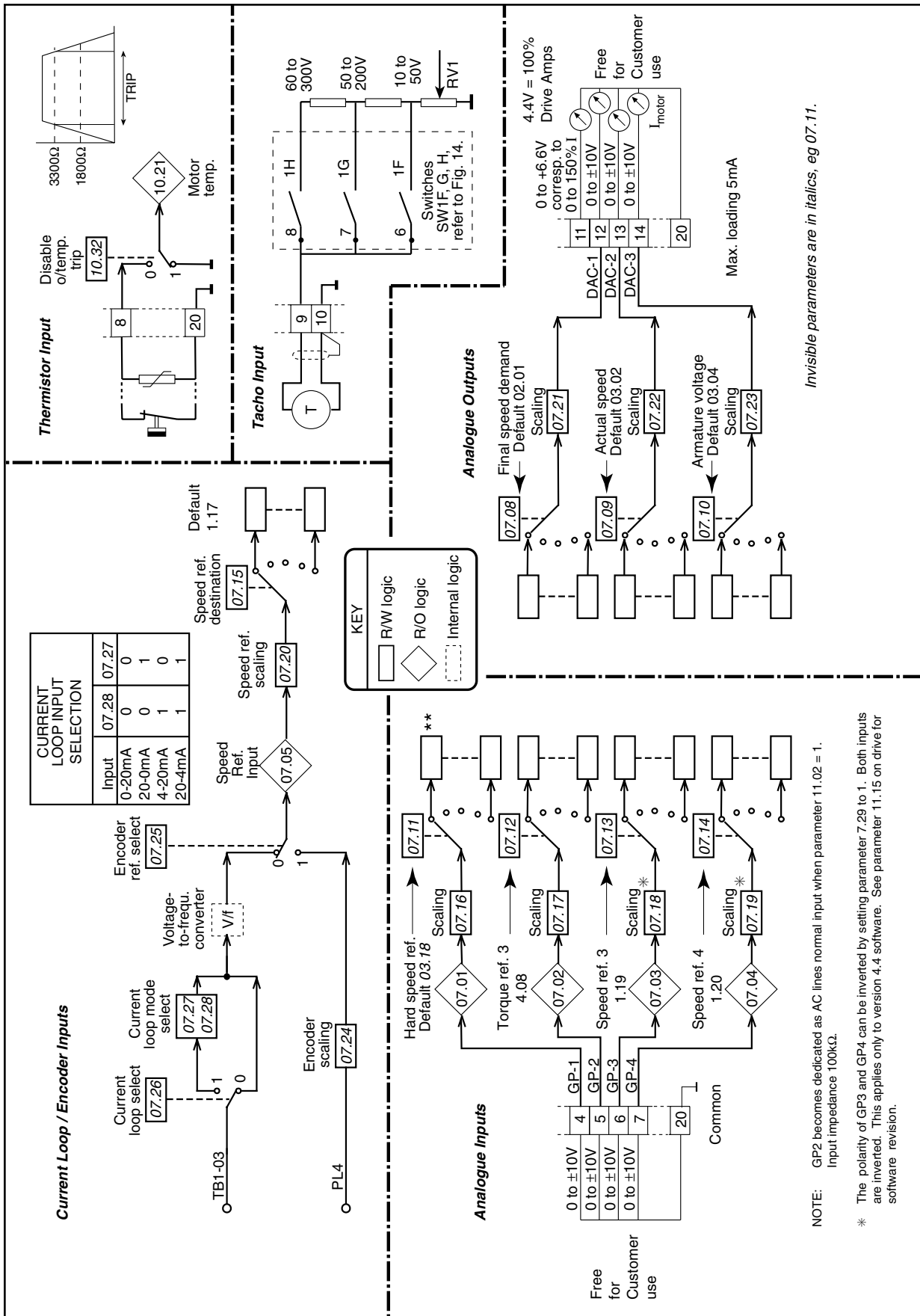


Figure E-9
Menu 07—Analogue Inputs & Outputs

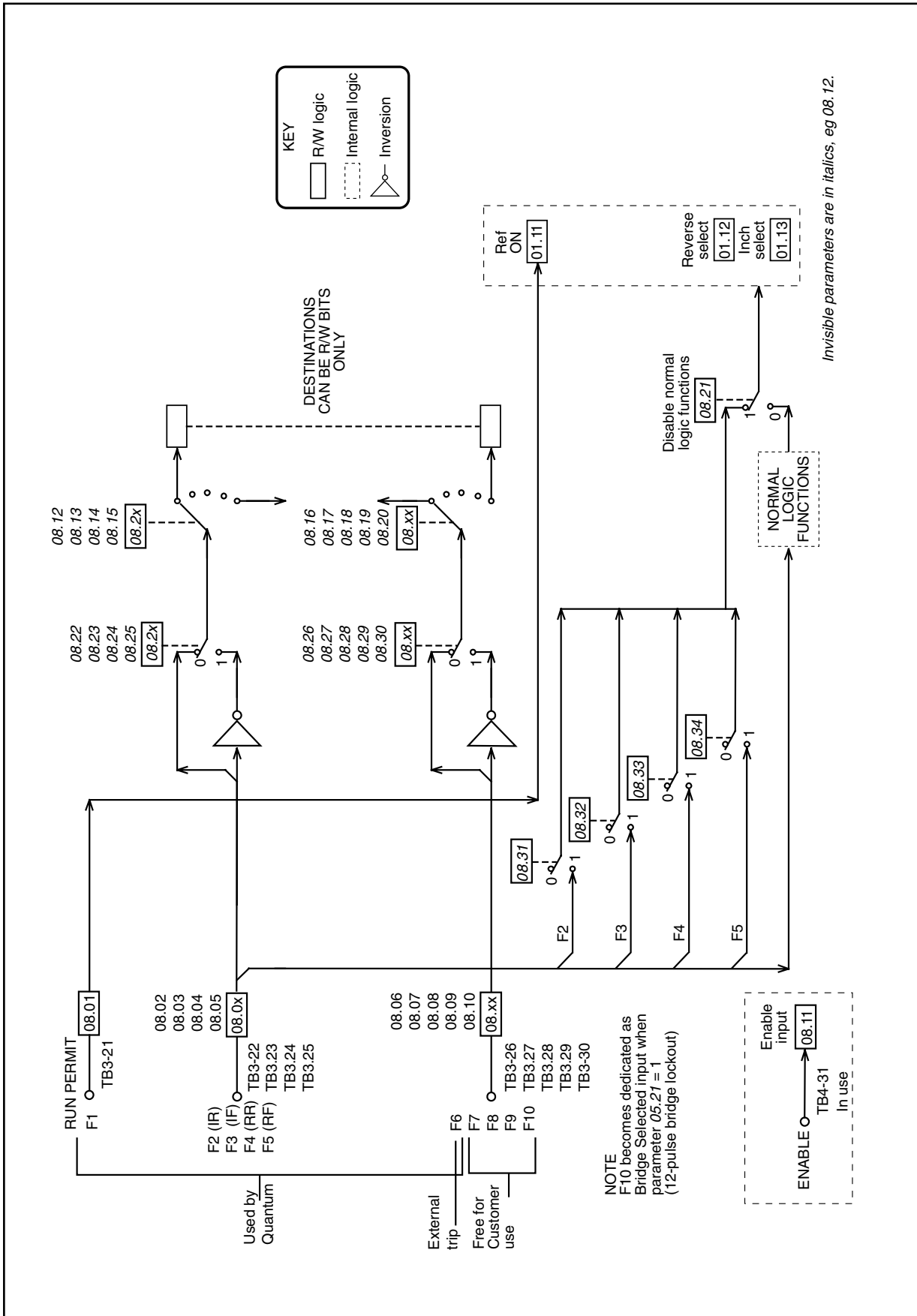


Figure E-10
Menu 08—Logic Inputs

Appendix E: Menu Diagrams

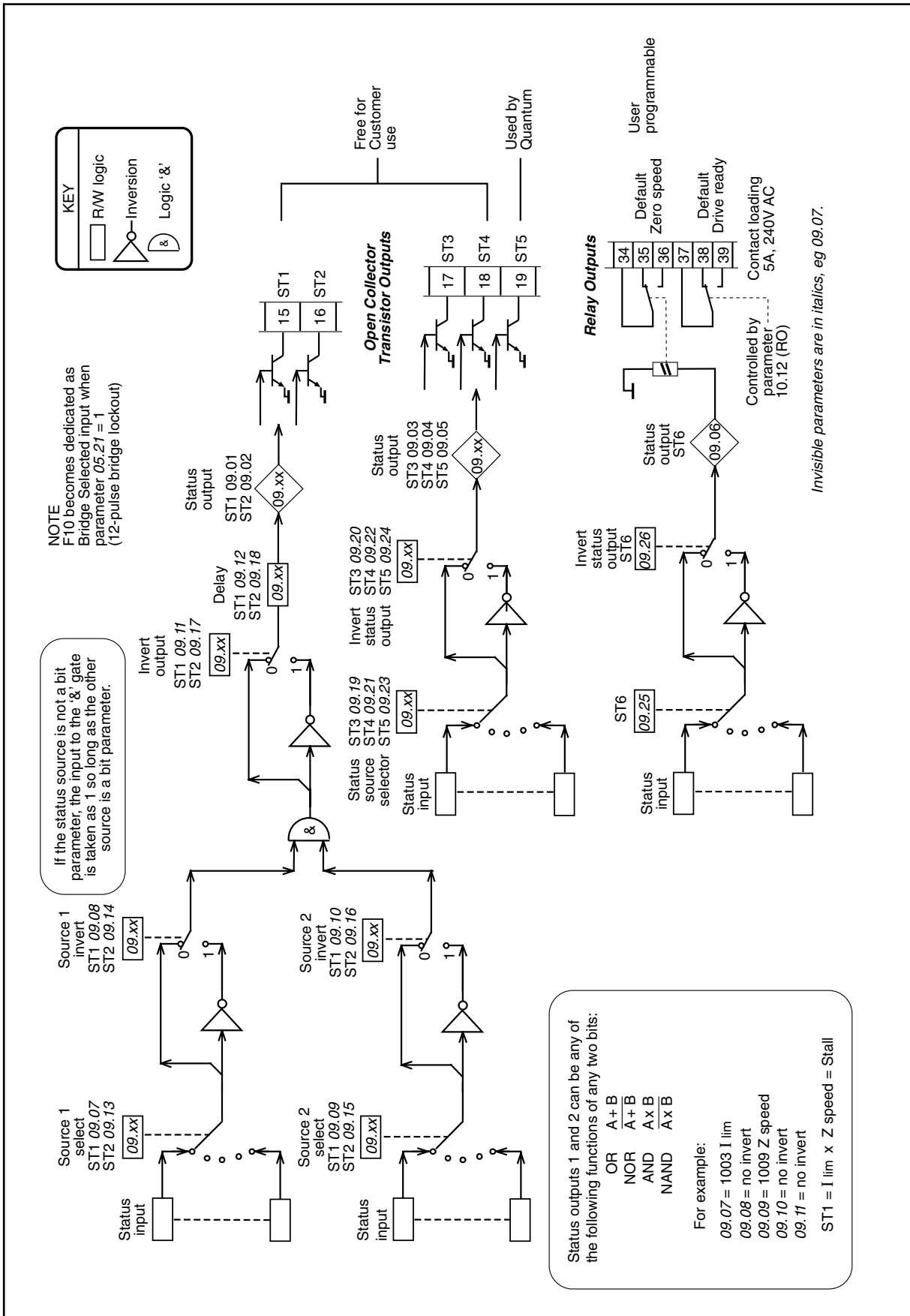
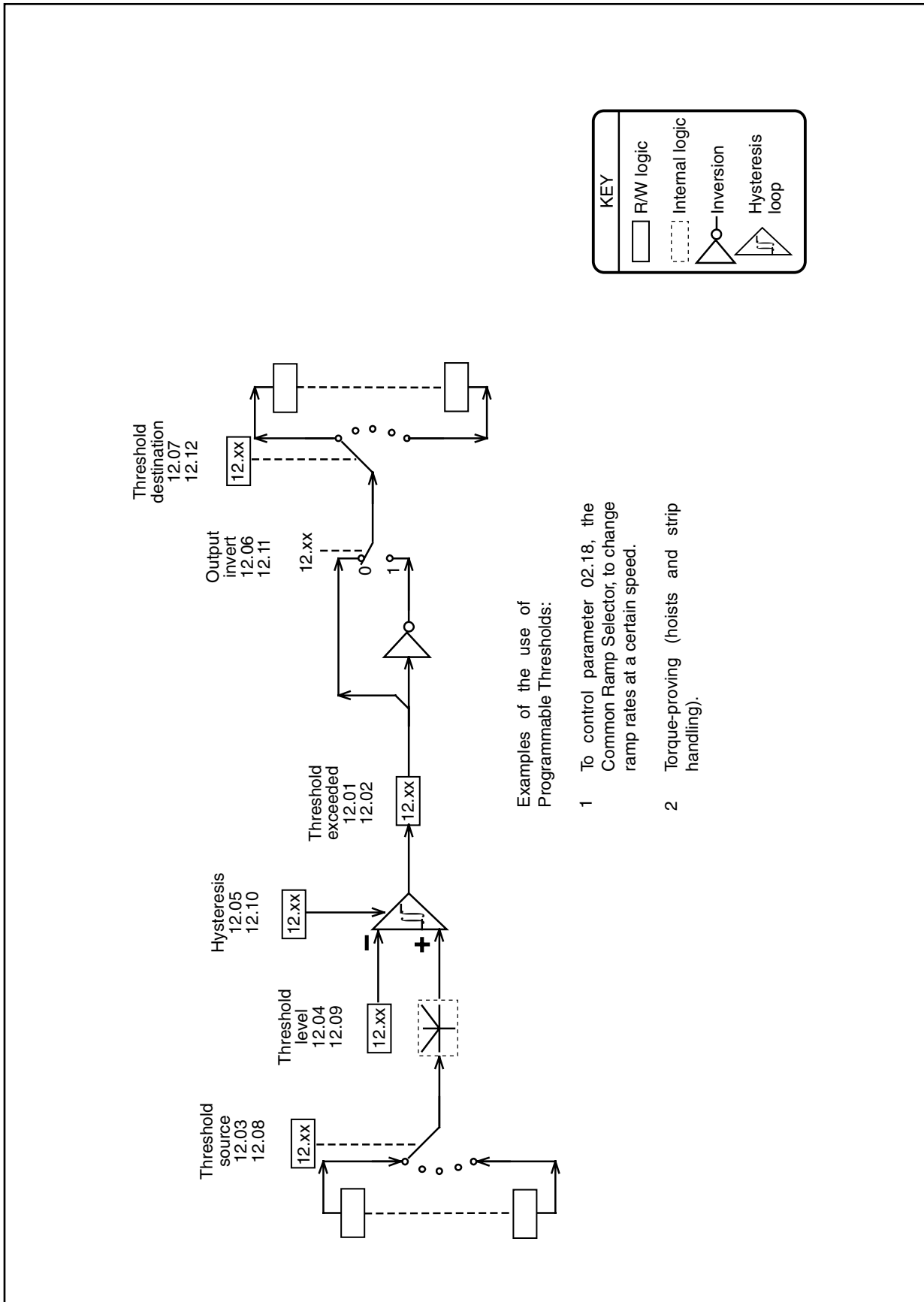


Figure E-11
 Menu 09—Status Outputs



Examples of the use of Programmable Thresholds:

- 1 To control parameter 02.18, the Common Ramp Selector, to change ramp rates at a certain speed.
- 2 Torque-proving (hoists and strip handling).

Figure E-12
Menu 12—Programmable Thresholds

Appendix E: Menu Diagrams

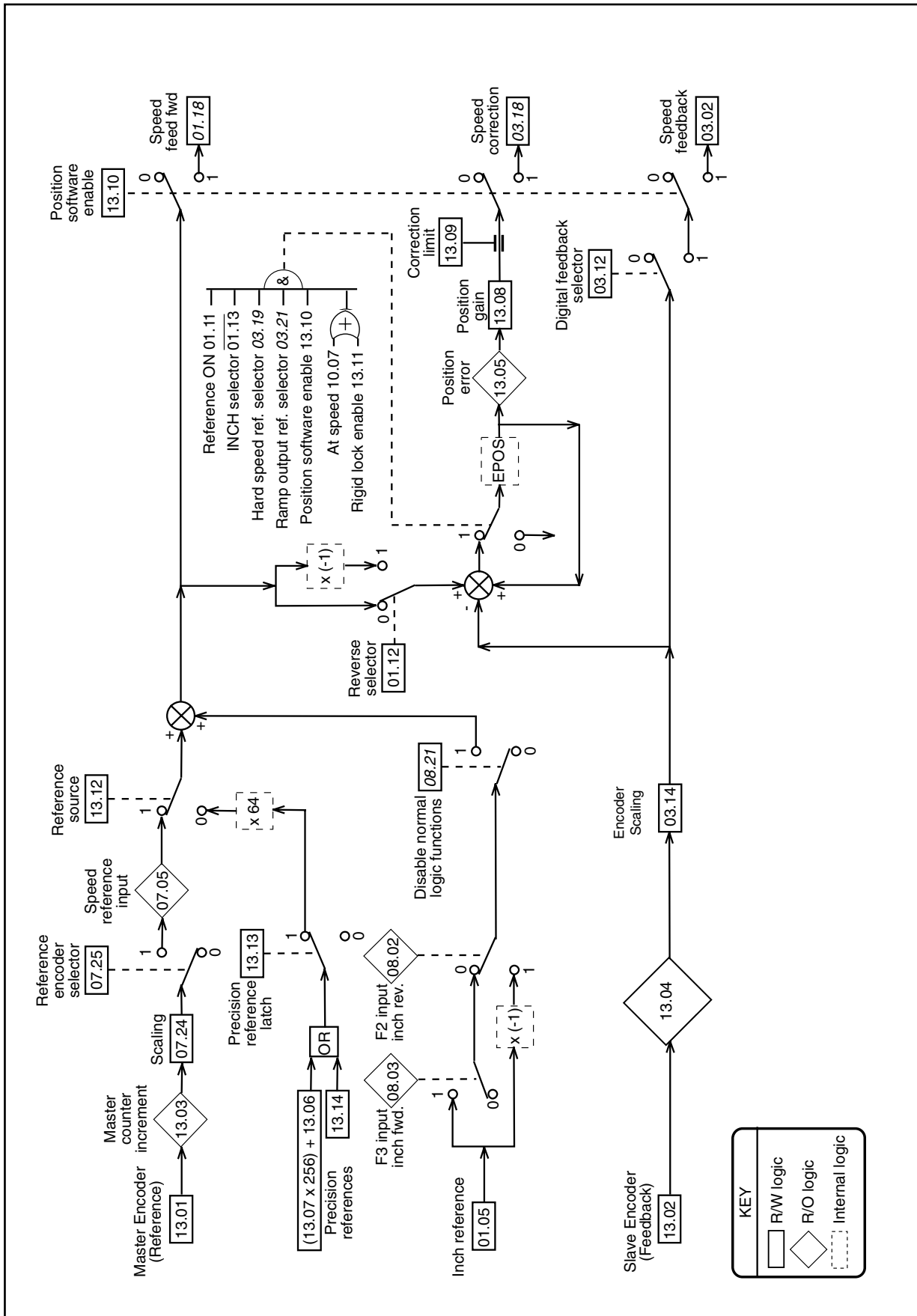


Figure E-13
Menu 13—Digital Lock