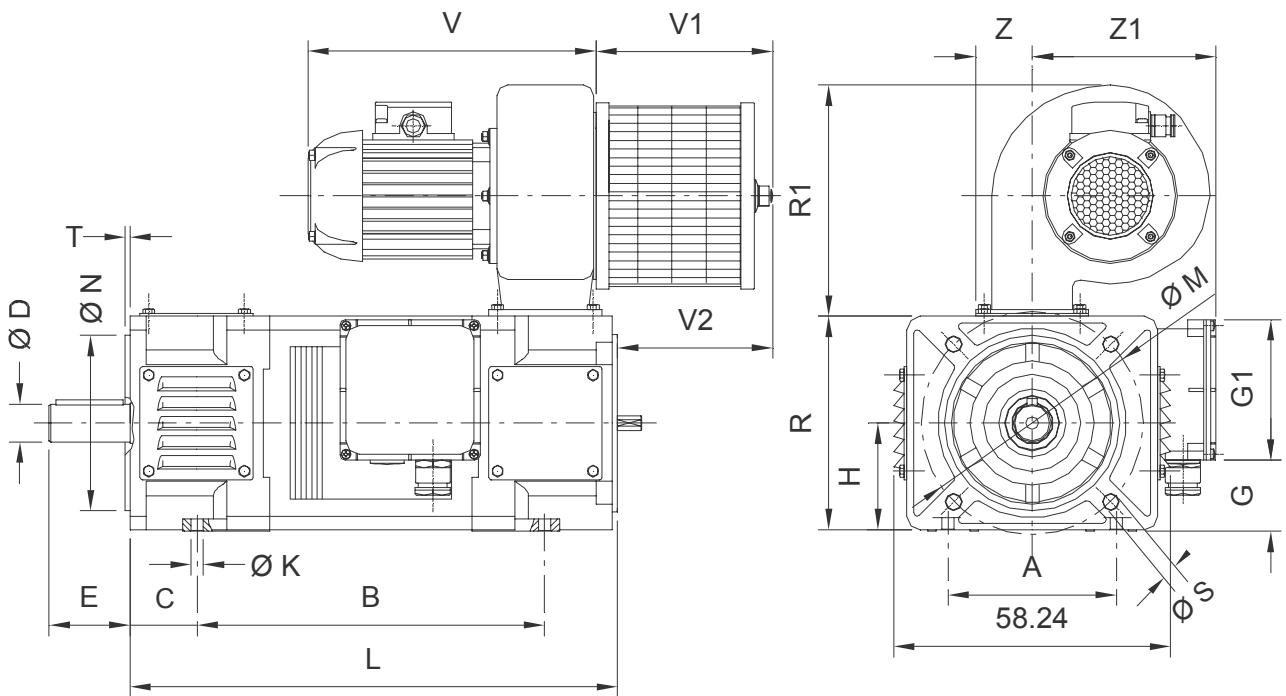


# Dimensioni di ingombro ML71-80

## Overall dimensions ML 71-80



Tipo Type		N	M	S	T	H	R	C	B	L	A	A1	K	V	V1	Z1	R1
ML 71	S	130	165	11	3,5	71	141	45	189	283	115	180	9	205	125	135	174
	M								209	303							
	L								229	323							
ML 80	S	130	165	11	3,5	80	159	50	218	322	125	210	9	220	125	135	171
	M								238	342							
	L								258	362							
	P								278	382							

The image shows a technical drawing of a screw with dimensions D (diameter), E (height), F (width), GA (thread length), d (minor diameter), and l (length). The drawing is positioned to the left of a table that lists the screw specifications for the ML71 and ML80 models.

	D	E	F	GA	d x l
ML71	14j6	30	5	16	M5x12,5
	19j6	40	6	21,5	M6x16
	24j6	50	8	27	M8x19
ML80	19j6	40	6	21,5	M6x16
	24j6	50	8	27	M8x19
	28j6	60	8	31	M10x22