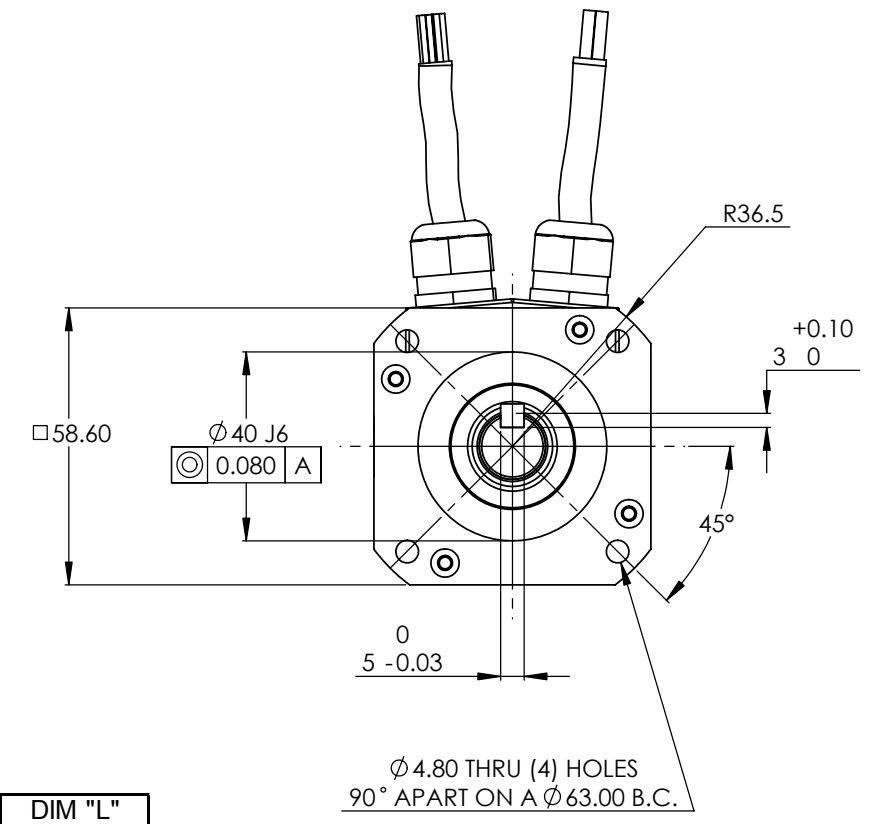
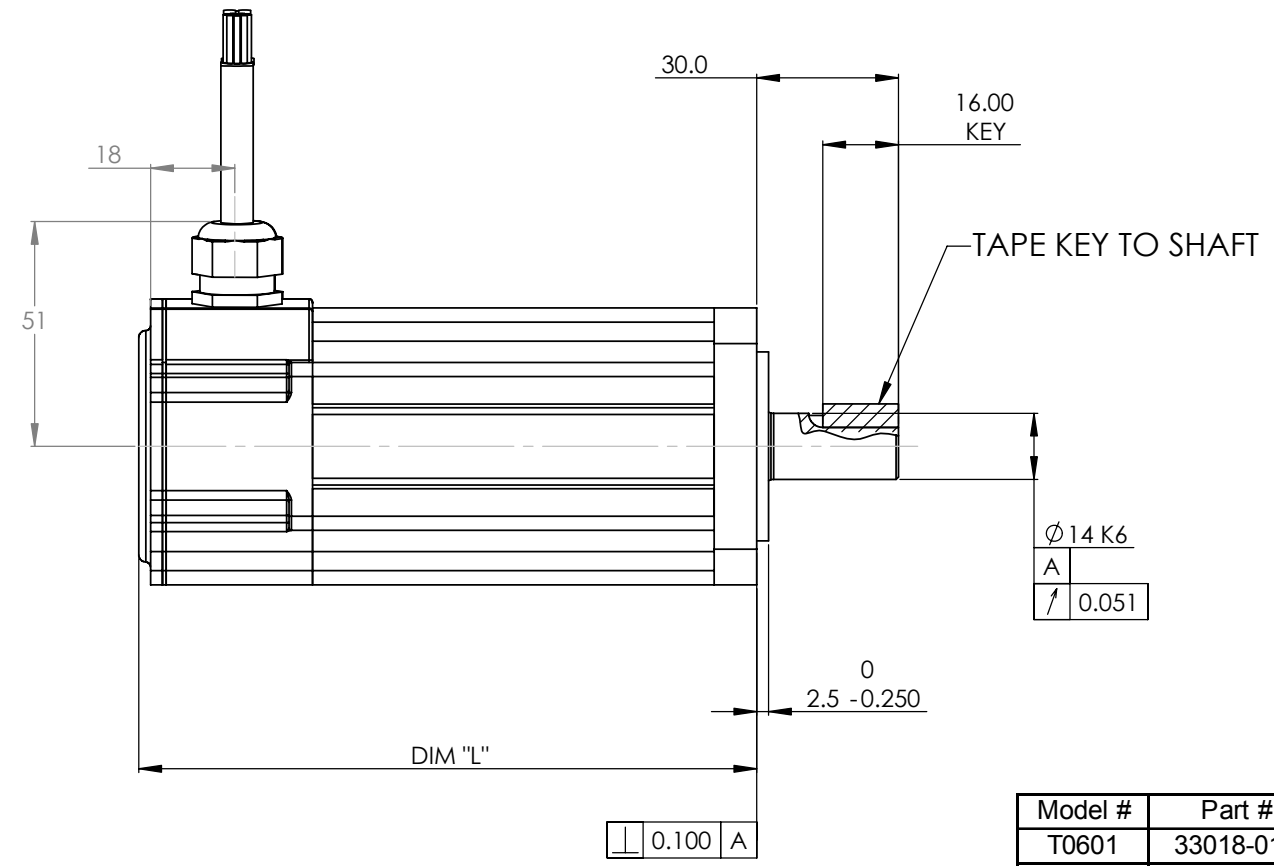
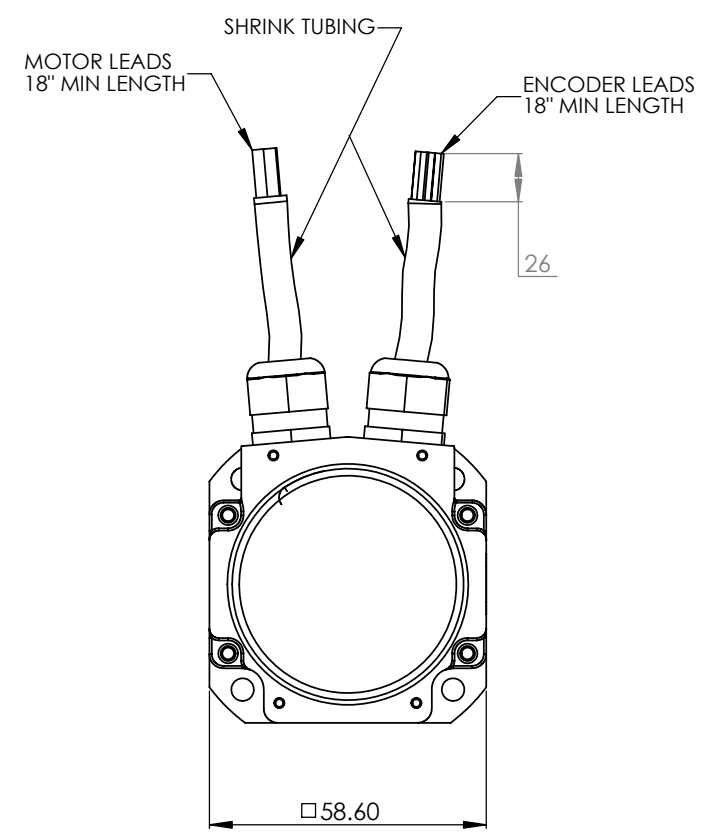
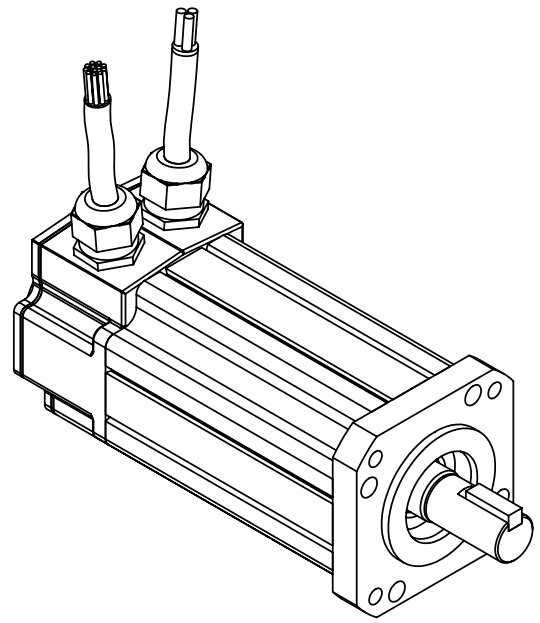
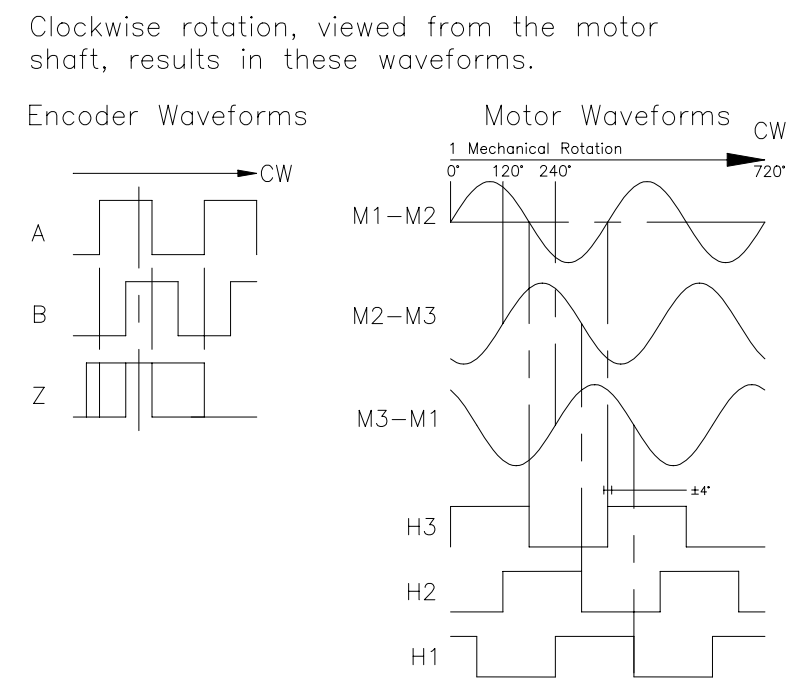


REVISIONS				
REV	ECN	DESCRIPTION	DATE	APP'D
A	DR8001	RELEASED	11/15/05	T.M.
B	ECN2624	ENCODER WIRE CODE CHANGED	1/23/06	T.M.

ENCODER CABLE WIRING CODE		
FROM	WIRE COLOR	WIRE SIZE
OUTPUT A	BROWN	# 28 AWG.
OUTPUT A'	WHITE	# 28 AWG.
OUTPUT B	BLUE	# 28 AWG.
OUTPUT B'	GREEN	# 28 AWG.
OUTPUT Z	ORANGE	# 28 AWG.
OUTPUT Z'	YELLOW	# 28 AWG.
OUTPUT U (H3)	VIOLET	# 28 AWG.
OUTPUT V (H2)	BROWN/WHITE	# 28 AWG.
OUTPUT W (H1)	ORANGE/WHITE	# 28 AWG.
CASE GROUND	BLACK WHITE	# 28 AWG.
CABLE SHIELD	DRAIN	# 28 AWG.
+ 5 VDC	RED	# 28 AWG.
COMMON	BLACK	# 28 AWG.

MOTOR CABLE WIRING CODE		
FROM	WIRE COLOR	WIRE SIZE
MOTOR M1	WHITE	# 16 AWG
MOTOR M3	RED	# 16 AWG
MOTOR M2	BLACK	# 16 AWG
CASE	GREEN	# 16 AWG



Model #	Part #	DIM "L"
T0601	33018-013	112
T0602	33018-014	131
T0603	33018-015	150
T0604	33018-016	169

NOTES:
 1. ROTATION: CLOCKWISE MOTOR ROTATION VIEWING DRIVE END OCCURS WHEN PHASE A LEADS PHASE B, PHASE B LEADS PHASE C.

NOTICE
 Information contained herein is the sole property of Cleveland Motion Controls, Torque Systems Division. This may not be reproduced, copied or traced in any manner in part or whole without the written permission of Cleveland Motion Controls, Torque Systems Division.

MILLIMETERS (mm) TOLERANCES UNLESS OTHERWISE SPECIFIED

XX	±0.25
XXX	±0.100
ANGLES	±0.30
MATERIAL	N/A
FINISH	N/A

APPLICATION: NEXT ASSY, USED ON: 60mm

DRAWN: T. Metzner, 10/25/05

CHECKED: APPROVED:

SCALE: 1:1

Cleveland Motion Controls
 AN RPMI Company
 Torque Systems Division

TITLE: OUTLINE 60 mm METRIC W/ENCODER & LEADS

REV. B

DWG. NO. 33018-013-016

SHEET 1 OF 1

CAD GENERATED DRAWING. DO NOT MANUALLY UPDATE.

CAD FILE: 33018-013-016.SLDDRW