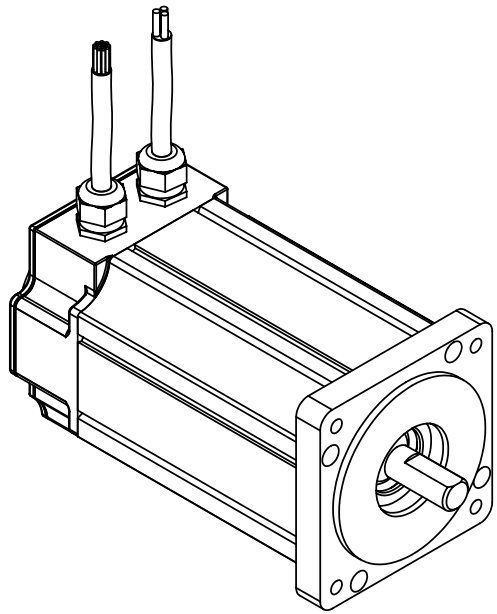
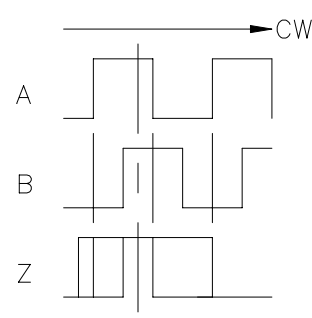


REV	ECN	REVISIONS	DATE	APP'D
A	DR9227	RELEASED	7/1/05	T.M.
B	ECN2458	ADDED WIRING & DUAL DIM. IN. (METRIC)	7/27/05	T.M.
C	ECN2598	UPDATED GRN GAGE	11/21/05	T.M.
D	ECN2624	CHANGED ENCODER WIRING CODE	1/19/06	T.M.

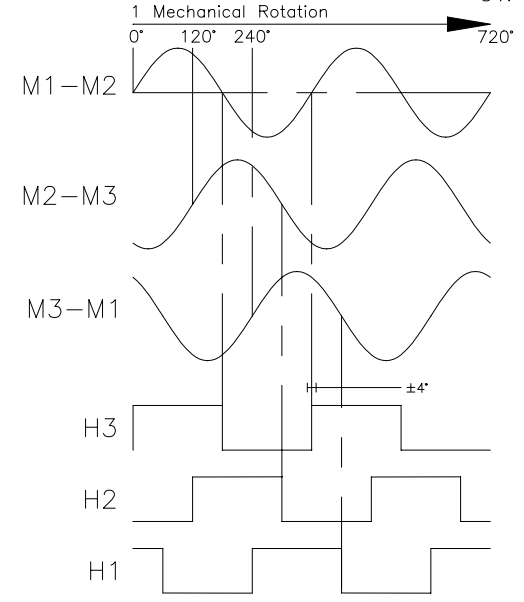


Clockwise rotation, viewed from the motor shaft, results in these waveforms.

Encoder Waveforms

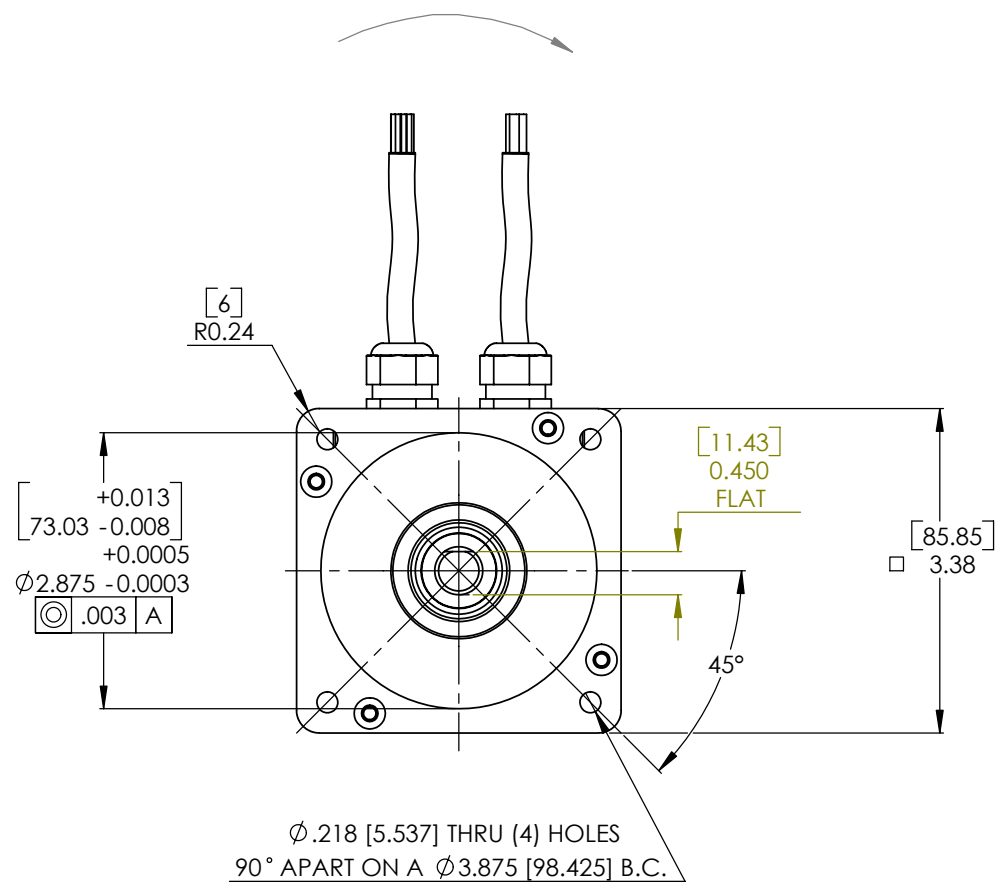
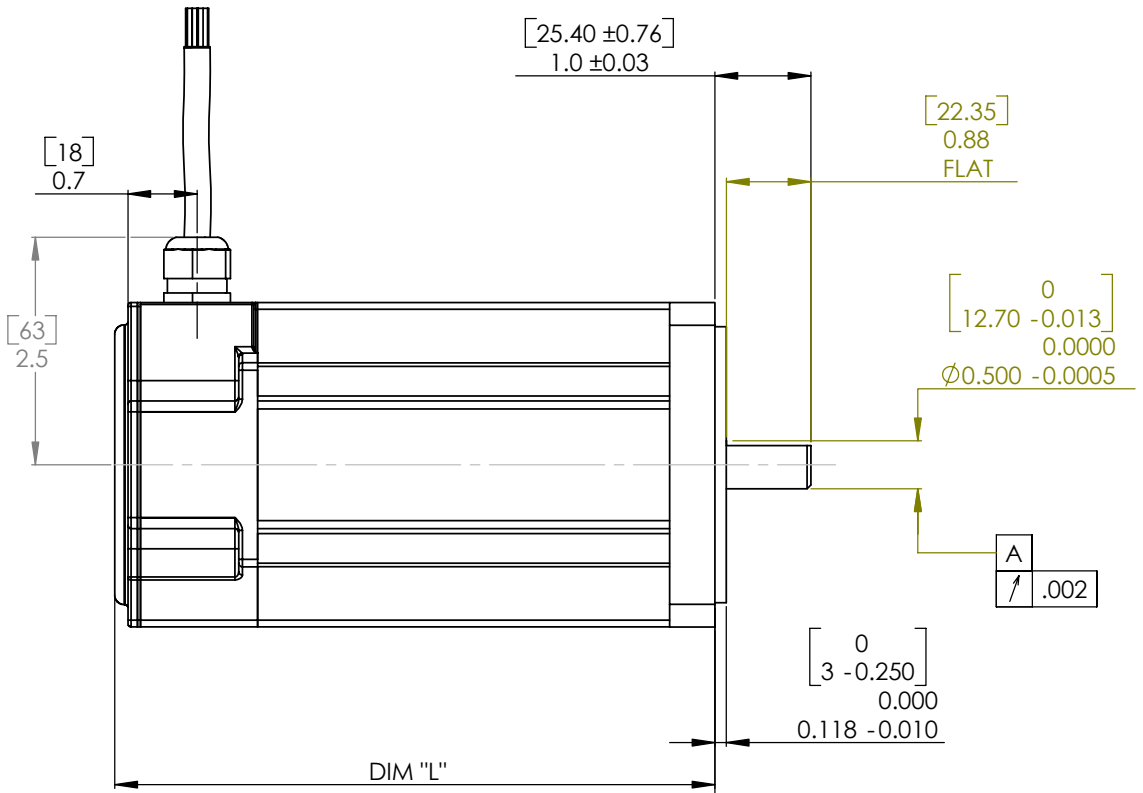
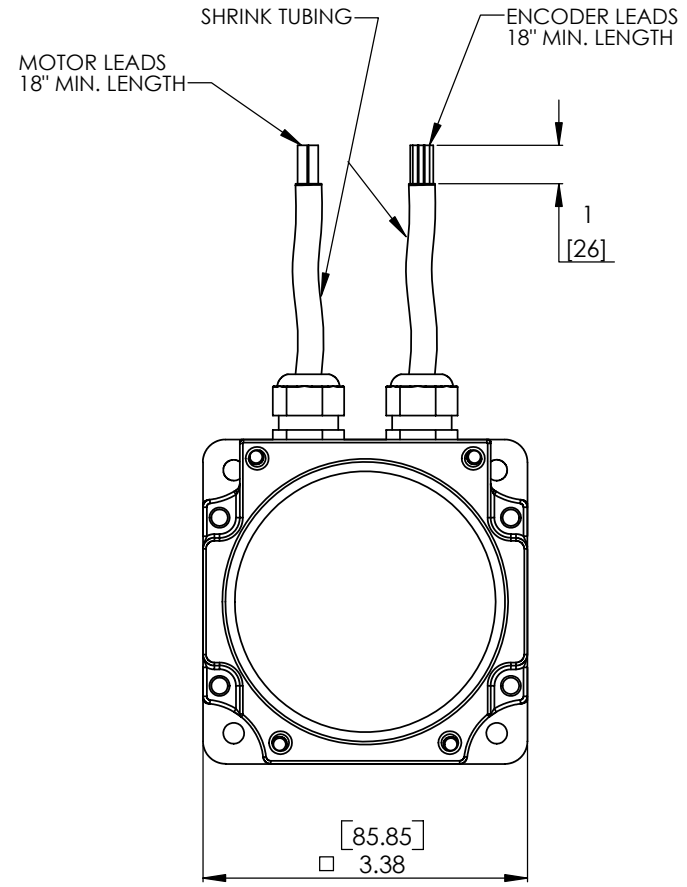


Motor Waveforms CW



ENCODER CABLE WIRING CODE		
FROM	WIRE COLOR	WIRE SIZE
OUTPUT A	BROWN	# 28 AWG.
OUTPUT A'	WHITE	# 28 AWG.
OUTPUT B	BLUE	# 28 AWG.
OUTPUT B'	GREEN	# 28 AWG.
OUTPUT Z	ORANGE	# 28 AWG.
OUTPUT Z'	YELLOW	# 28 AWG.
OUTPUT U (H3)	VIOLET	# 28 AWG.
OUTPUT V (H2)	BROWN/WHITE	# 28 AWG.
OUTPUT W (H1)	ORANGE/WHITE	# 28 AWG.
CASE GROUND	BLACK WHITE	# 28 AWG.
CABLE SHIELD	DRAIN	# 28 AWG.
+ 5 VDC	RED	# 28 AWG.
COMMON	BLACK	# 28 AWG.

MOTOR CABLE WIRING CODE		
FROM	WIRE COLOR	WIRE SIZE
MOTOR M1	WHITE	# 12 AWG
MOTOR M2	BLACK	# 12 AWG
MOTOR M3	RED	# 12 AWG
CASE	GREEN	# 12 AWG



NOTES:  
1. ROTATION: CLOCKWISE MOTOR ROTATION VIEWING DRIVE END OCCURS WHEN PHASE A LEADS PHASE B, PHASE B LEADS PHASE C.

Model #	Part #	DIM "L" (in)	DIM "L" (mm)
T0851	31011-013	5.1	130
T0852	31011-014	6.3	159
T0853	31011-015	7.4	188
T0854	31011-016	8.5	217

DIMENSIONS IN BRACKETS [DUAL] ARE IN MILLIMETERS

<b>NOTICE</b> Information contained herein is the sole property of Cleveland Motion Controls, Torque Systems Division. This may not be reproduced, copied, or traced in any manner in part or whole without the written permission by Cleveland Motion Controls, Torque Systems Division.	INCHES (in) TOLERANCES UNLESS OTHERWISE SPECIFIED XX ±0.010 XXX ±0.005 ANGLES ±0.30° FRACTIONS ±1/100	APPLICATION NEXT ASSY USED ON 85mm	 <b>Cleveland Motion Controls</b> AN RPMV Company Torque Systems Division
	MATERIAL: None FINISH: None	DRAWN: T. Mezher 7/26/05 CHECKED: F.M.R. 8/12/05 APPROVED:	

CAD GENERATED DRAWING. DO NOT MANUALLY UPDATE.